

# Formglas

Shaping Possibilities

## Feature Project ■ MARRIOTT COURTYARD

Industry: Hospitality Location: Various Locations Across North America Design: Marriot Corporate Design Team

■ Concept drawings by Formglas help illustrate continuity in each room.



<b>GENERAL NOTES</b>		DWG.	<b>-01</b>
G.R.G. SOFFIT & CURTAIN VALANCE		DATE: APRIL 3/02	SCALE: AS SHOWN
<b>MARRIOTT COURTYARD</b>		DWN.: TG	CHK.:

### Concept

The Marriott Corporate Design Team required a detailed yet easy to install alternative to millwork and drywall for their Curtain Valances and Desk Soffits that could be replicated in each hotel room.

### Specs

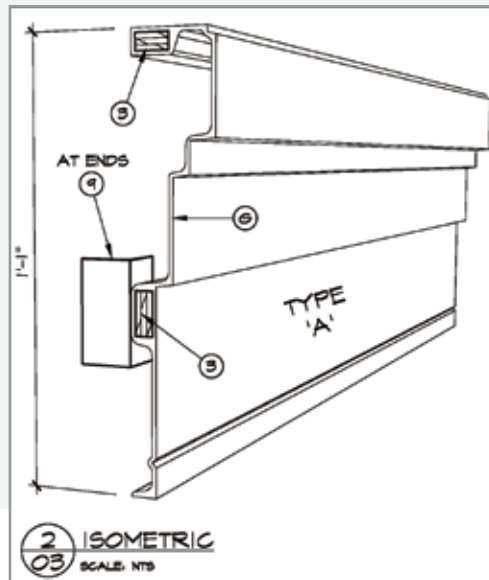
- Formglas glassfiber reinforced gypsum (GRG) Curtain Valances and Desk Soffits were selected to bring continuity to each room.
- 14' long sections of the Curtain Valances are made in the Formglas factory and can be easily field cut to meet specific site dimensions. Non standard lengths can be factory ordered.
- The GRG Desk Soffits mirror the contours of each desk layout and are a great alternative to drywall, allowing for consistency of shape and curvature.
- Predrilled pot light holes in the Desk Soffits are an option that can be added at the factory prior to shipping.

## Technical Specifications

Final Product



- Manufacturing production drawings provide clear instructions that support timely installation.



Architectural Drawings



Final Product

Custom molded products by Formglas for interior and exterior design applications are specified by more designers and architects than any other products of their kind in the world. For more than four decades, Formglas has supplied the commercial building and design industry worldwide with the highest quality molded stone and concrete textured finishes, luxurious cold cast metallics and precision engineered cast gypsum surfaces. Our team of architecturally-trained product specialists work closely with designers and architects to create practical and cost-effective solutions that reduce installation cost, provide enhanced appearance and ensure years of durability and beauty. Best of all, Formglas products and services are backed by the industry standard for quality, service and on-time delivery.

To learn more about Formglas products and services, visit our website at [www.formglas.com](http://www.formglas.com)

T. 416.635.8030

[formglas.com](http://formglas.com)  
[enquiries@formglas.com](mailto:enquiries@formglas.com)

**Formglas**  
Shaping Possibilities